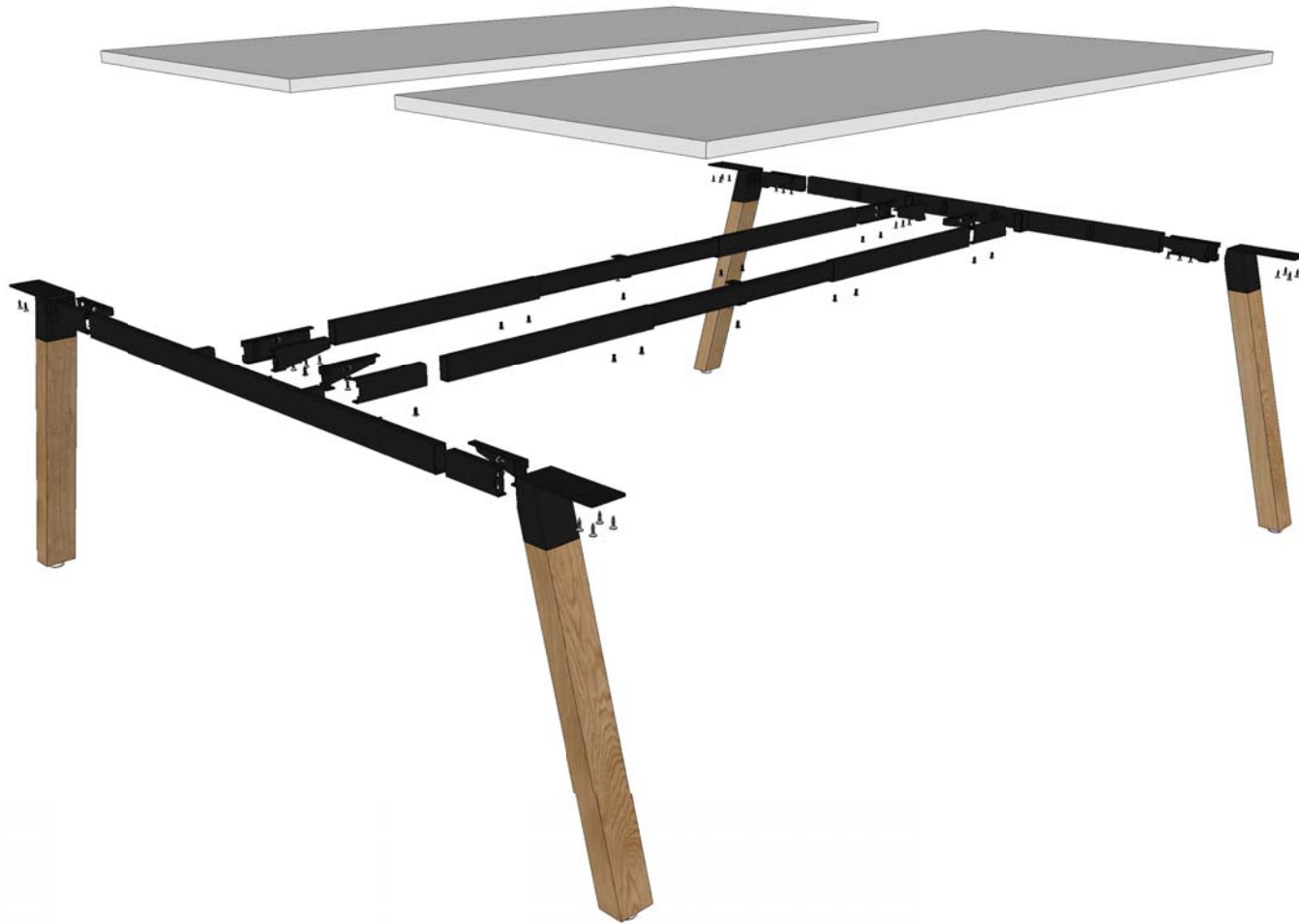


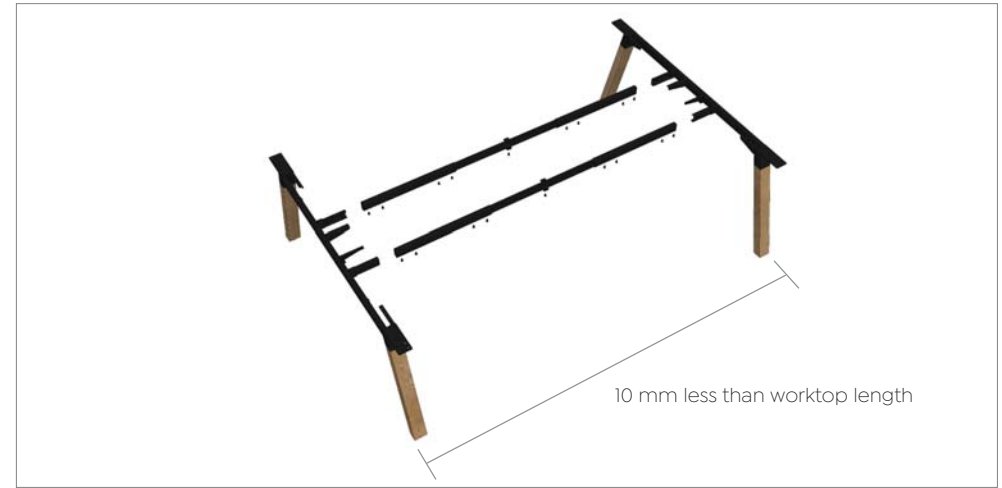
Plantation

Assembly Instructions - Desking 2 DSD





STEP 1: Assemble 2x end leg sets as above, including assembling the rail receivers to the crossbar.



STEP 2: Fit rails to end frames and set length to fit worktops.



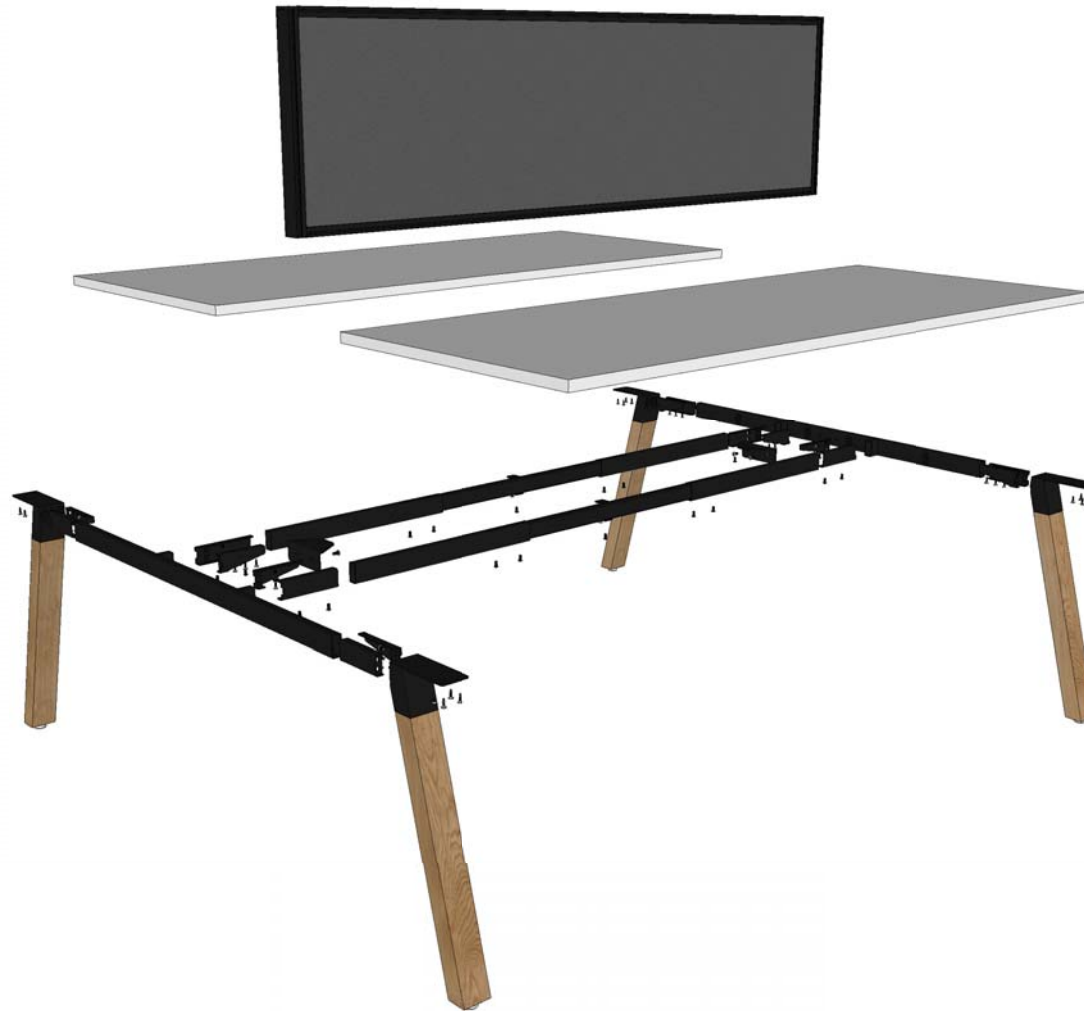
STEP 3: Align worktops to frame, recommended spacing is 5 mm overhang on the ends and central gap to suit screen type. (S50 = 52 mm, epanel = 20 mm, R18 = 20 mm)

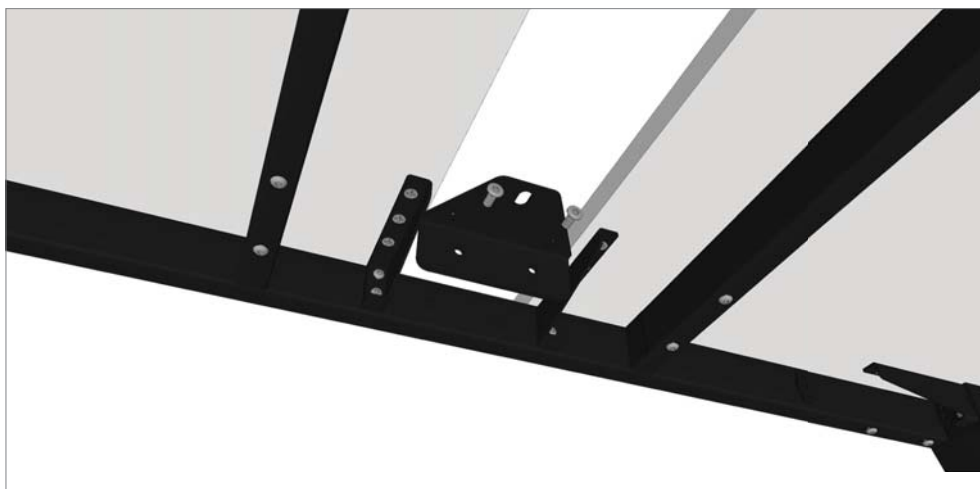


STEP 4: Fix worktop to frame using 4 x 23mm screw per leg, 2 x 23mm screw per rail.

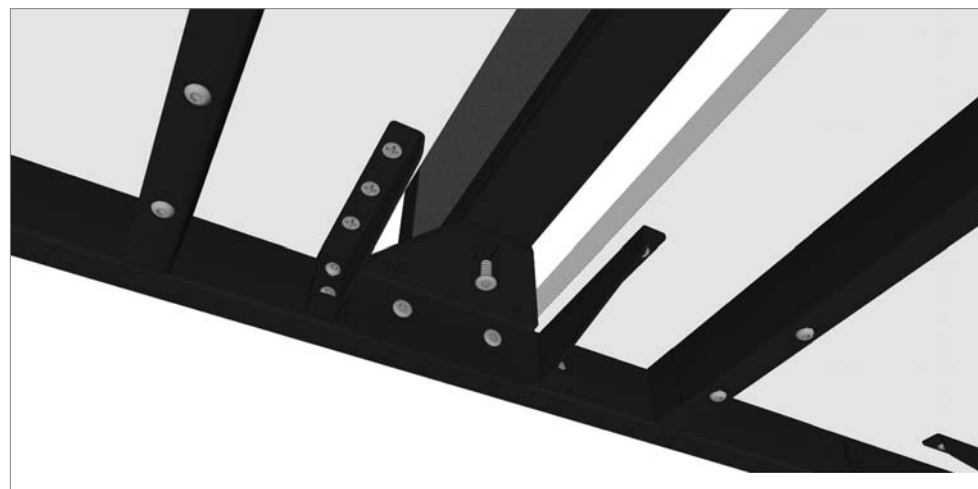
Plantation

Assembly Instructions - 2DSD Studio50 Screen

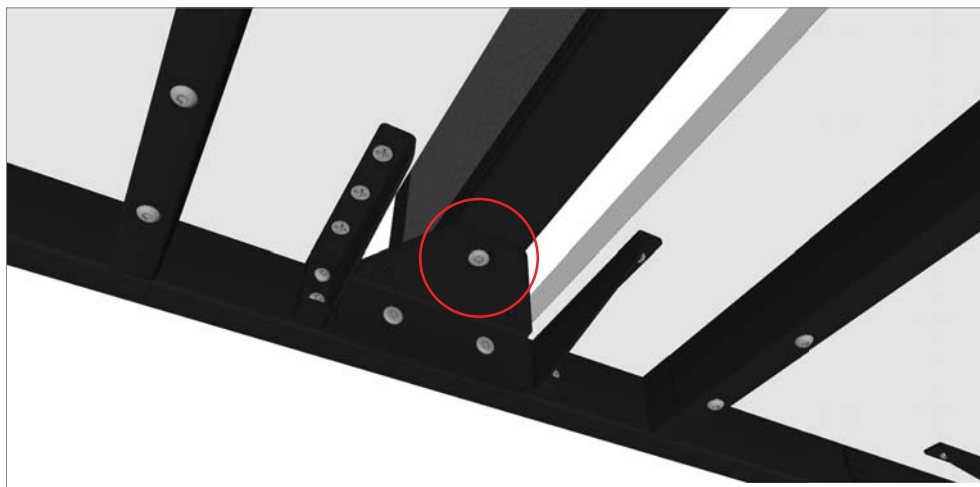




STEP 1: Fix AXSB bracket to end frame and tighten.



STEP 2: Rest the screen panel on bracket so the end of the screen is equal distance from each end of the setting.



STEP 3: Fix the screen down tightly to the bracket.

